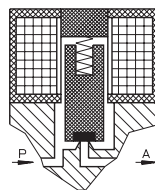
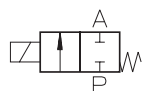


### Type EA 203

2-way solenoid valve  
direct actuated, NC  
(normally closed)



**Application**  
Neutral liquids, gases  
and vapors



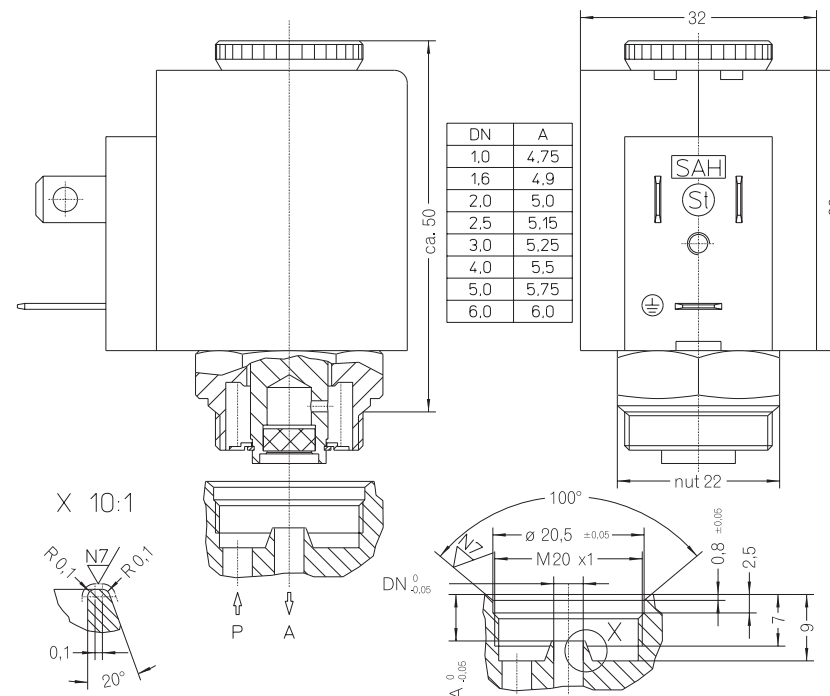
Type/ Order No.	Orifice [mm]	Port size	Pressure range [bar]		kv-value [m³/h]	Weight [kg]
			AC	DC		
EA 203-001	1,0	M 20 x 1	0 - 80	0 - 50	-	0,230
EA 203-001	1,6	M 20 x 1	0 - 40	0 - 30	-	0,230
EA 203-001	2,0	M 20 x 1	0 - 30	0 - 20	-	0,230
EA 203-001	2,5	M 20 x 1	0 - 25	0 - 15	-	0,230
EA 203-001	3,0	M 20 x 1	0 - 15	0 - 10	-	0,230
EA 203-001	4,0	M 20 x 1	0 - 8	0 - 5	-	0,230
EA 203-001	5,0	M 20 x 1	0 - 5	0 - 3	-	0,230
EA 203-001	6,0	M 20 x 1	0 - 3	0 - 2	-	0,230

Sealing material: **P** (NBR) **E** (EPDM) **V** (FPM)

Inner parts: Stainless steel (1.4105)  
 Mounting direction: Free, preferred upwards  
 Max. ambient temp.: 50 °C  
 Viscosity of the medium: max. 21 mm²/s (3 °E)  
 Static pressure: max. 80 bar  
 Standard voltage: DC: 24 V, 12 V  
 AC: 230 V, 115 V, 42 V,  
 24 V, 12 V (50 or 60 Hz)

Power consumption: 15 VA / 11 W  
 Voltage tolerance: -15 %... +10 %  
 Duty cycle: 100 %  
 Operating frequency: max. 360/min  
 Degree of Protection: IP 54 (EN 60529)  
 Plunger guide tube: Brass

Other configurations upon request



The right to modification is reserved

Dimensions in mm